

TDS
Technical Data Sheet

Release Date
2025



UniFor has always placed the well-being of people in working environments at the centre of its mission. UniArm, the monitor arm designed by Alberto and Francesco Meda, represents the latest achievement of this philosophy.

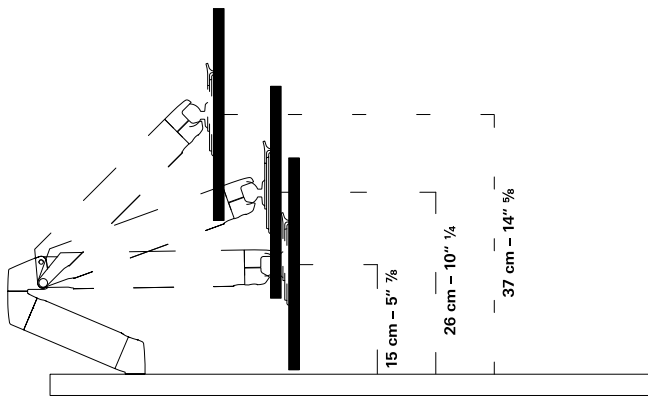
Frequently adjusting the monitor position helps prevent tension in the back, neck, shoulders, and arms, fostering a healthier and more productive work environment. UniArm allows for easy adjustment of height, depth, and screen angle, enabling users to find the optimal position for maximum comfort during daily activities.

Thanks to its flexibility, the UniArm monitor arm transforms any workstation into a dynamic and organized area. It is possible to easily switch between horizontal and vertical screen orientations, share the display with colleagues, and find the ideal angle for any task.

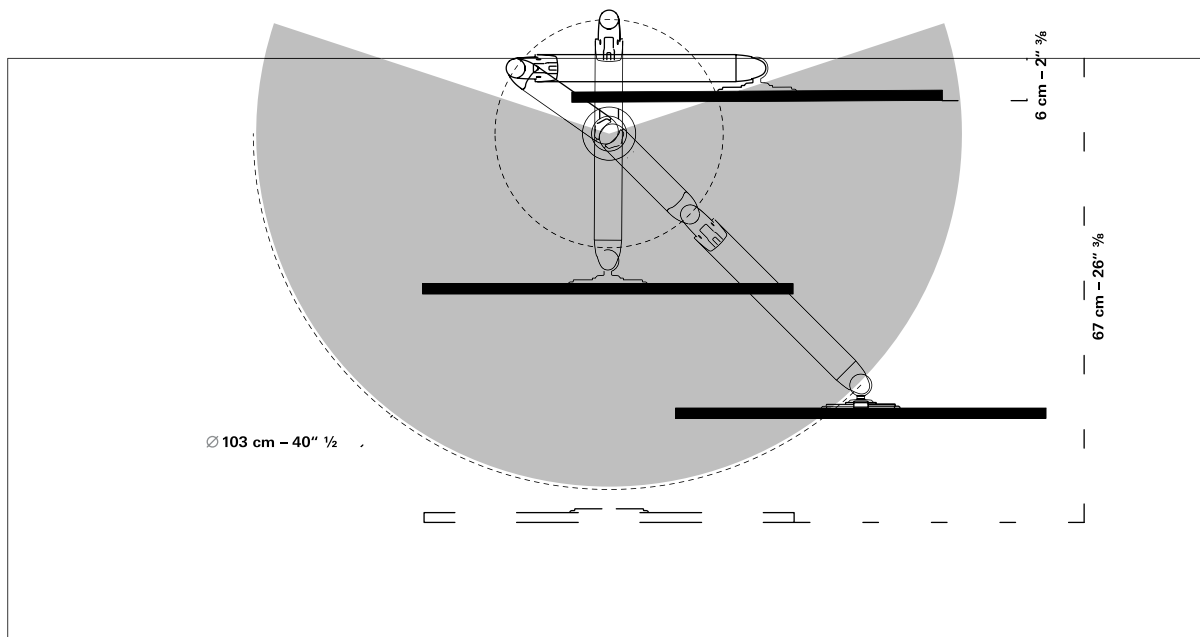
UniArm combines sophisticated design and cutting-edge technology to enhance every office, making it more efficient and personalized. With its multiple configurations, supporting also multi-screen setups, it fits perfectly into high-complexity work environments such as the hectic trading floors of the financial sector or the advanced control rooms of airports and railway networks.

UniFor continues to innovate, prioritizing not only the well-being of people but also sustainability. UniArm is designed for easy disassembly, facilitating recycling at the end of its life. Additionally, by using materials with high recycled content, its overall environmental impact is reduced.

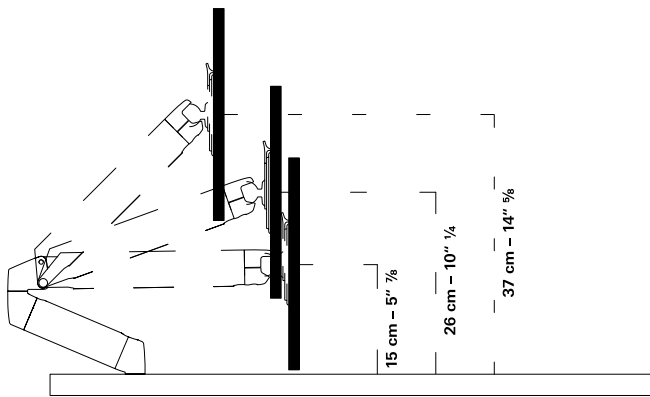
VERTICAL EXTENSION OF THE DYNAMIC MONITOR ARM WITH SINGLE JOINT



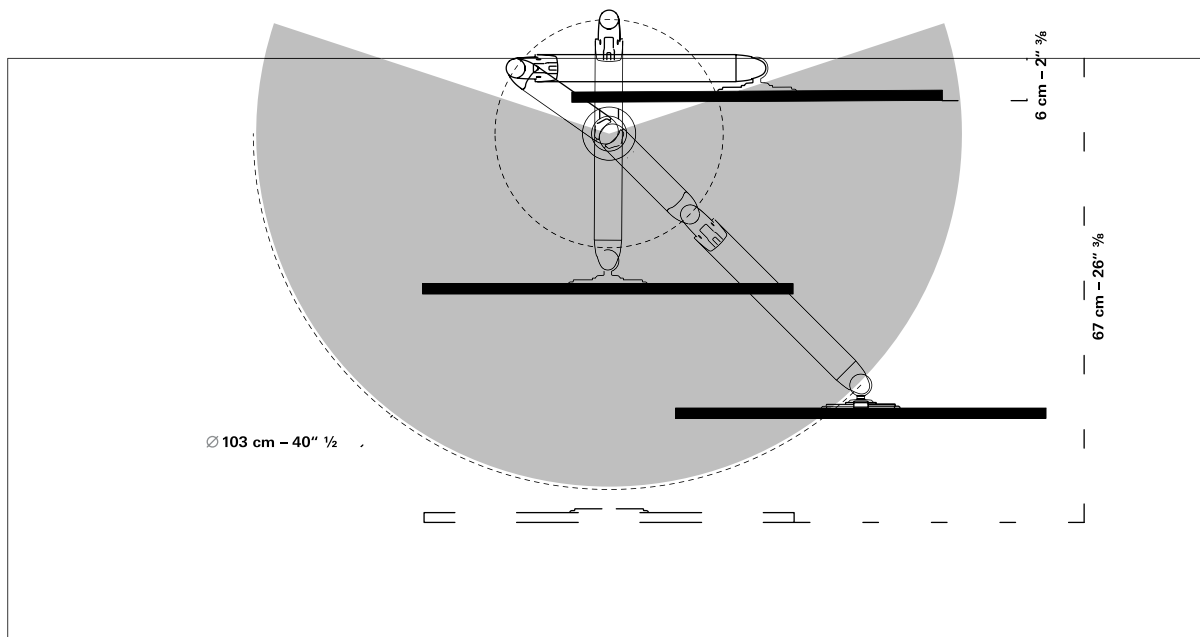
HORIZONTAL EXTENSION OF THE DYNAMIC MONITOR ARM WITH SINGLE JOINT

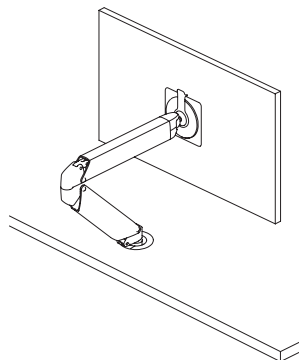
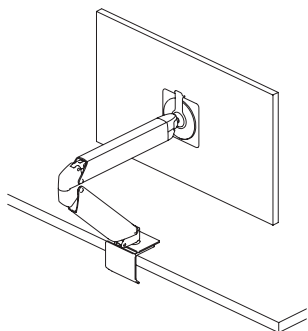


VERTICAL EXTENSION OF THE BASIC MONITOR ARM WITH SINGLE JOINT



HORIZONTAL EXTENSION OF THE BASIC MONITOR ARM WITH SINGLE JOINT





**DYNAMIC
MONITOR ARM**

**Dynamic monitor arm
with double-joint
and clamp connection to the table**

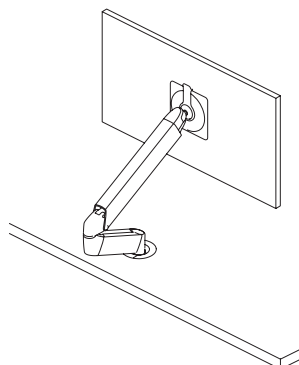
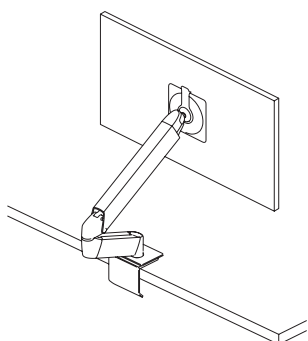
Maximum vertical extention: 55 cm
Maximum horizontal extention: 134 cm
Weight: 3,3 kg

IUAC1D ..

**Dynamic monitor arm
with double-joint
and grommet connection to the table**

Maximum vertical extention: 55 cm
Maximum horizontal extention: 134 cm
Weight: 3,3 kg

IUAG1D ..



**BASIC
MONITOR ARM**

**Basic monitor arm with double-joint
and clamp connection to the table**

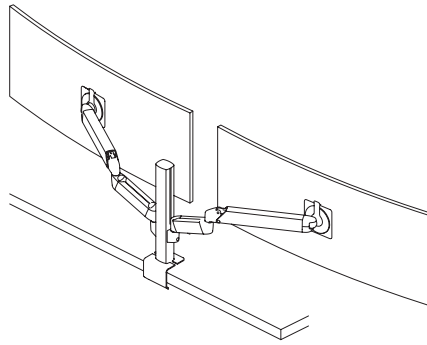
Maximum vertical extention: 37 cm
Maximum horizontal extention: 103 cm
Weight: 2,7 kg

IUAC1S ..

**Basic monitor arm with double-joint
and grommet connection to the table**

Maximum vertical extention: 37 cm
Maximum horizontal extention: 103 cm
Weight: 2,9 kg

IUAG1S ..

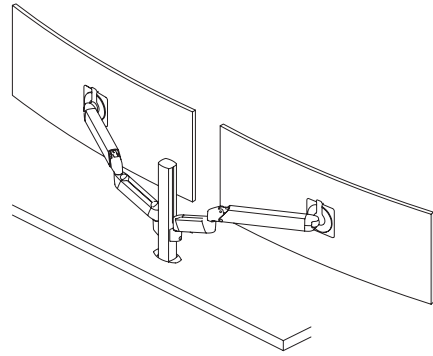


**MONITOR ARM
WITH 2 ARMS**

**Vertical post (H32 cm) with two monitor
arms and clamp connection to the table**

Peso: 6,2 kg

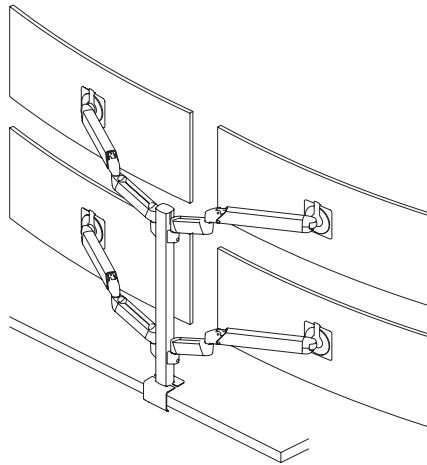
IUAC2 ..



**Vertical post (H32 cm) with two monitor
arms and grommet connection to the table**

Peso: 6,8 kg

IUAG2 ..

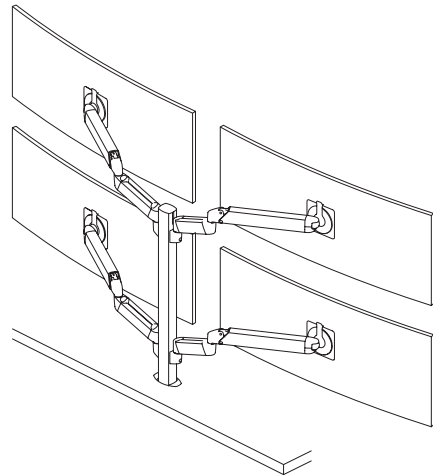


**MONITOR ARM
WITH 4 ARMS**

**Vertical post (H46 cm) with two monitor
arms and clamp connection to the table**

Peso: 10,3 kg

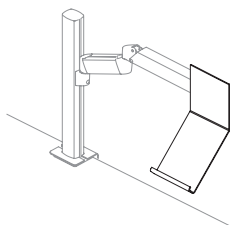
IUAC4 ..



**Vertical post (H46 cm) with two monitor
arms and grommet connection to the table**

Peso: 10,9 kg

IUAG4 ..



ACCESSORIES

Notebook holder

IUAPN ..

**MONITOR ARM
STRUCTURE FINISHES**

Powder coating



D7
Charcoal painting



SX
Frosted Chrome painting

Galvanic treatment



BA
Polished aluminum

For other finishes,
please contact our Sales Department.

UniFor adopts management systems for quality, environment, and workplace health and safety, compliant with and certified according to UNI EN ISO 9001, UNI EN ISO 14001, and UNI ISO 45001 standards.

UniFor products are UL GREENGUARD Gold® certified, demonstrating compliance with chemical emissions standards and a commitment to protecting people and the environment, in line with the limits set by the UL GREENGUARD program.

UniFor's FSC® Chain of Custody is certified (FSC-C005654) for the responsible management of forest resources.