

TDS  
Technical Data Sheet

Release Date  
10 2023



Element 02 is a table designed to facilitate temporary activities, informal gatherings, small workgroups, and task meetings. The table has a large circular top and is available with a fixed height, 74 cm or 110 cm, or in an adjustable-height version.

In the adjustable version, the metal support structure with cylindrical base is composed of vertical telescopic elements, electrically controlled by means of a lever. The table height can be adjusted from 66 to 125 cm, facilitating its use in a variety of ways.

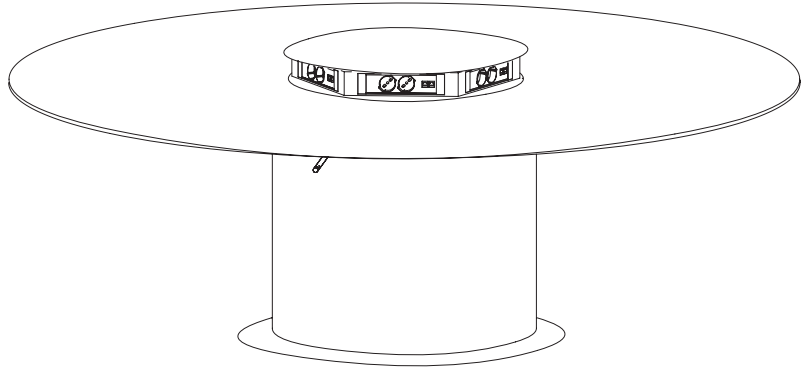
The worktop is fitted with a telescopic cable housing tower with power sockets, USB ports, and RJ45 ports for immediate access to network services.

A safety system automatically stops movement of the tower in case of user interference. A single lever under the top controls both the table height and the tower.

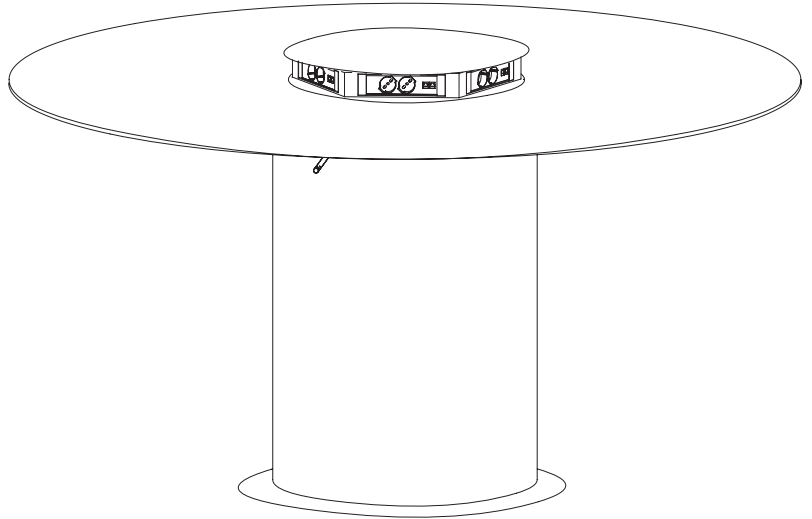
In the case of non-floating flooring systems, a small slot in the ring at the base of the table provides for cable management. The table is furnished pre-wired.

TABLES

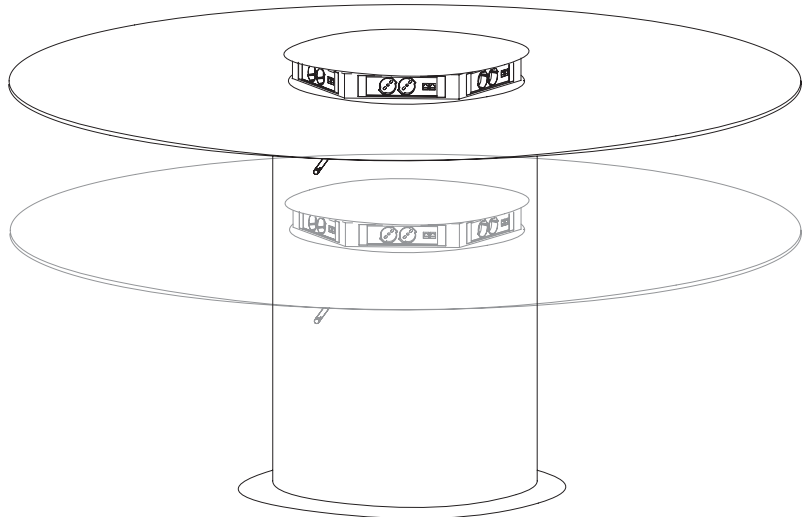
Tables fixed height 74 cm

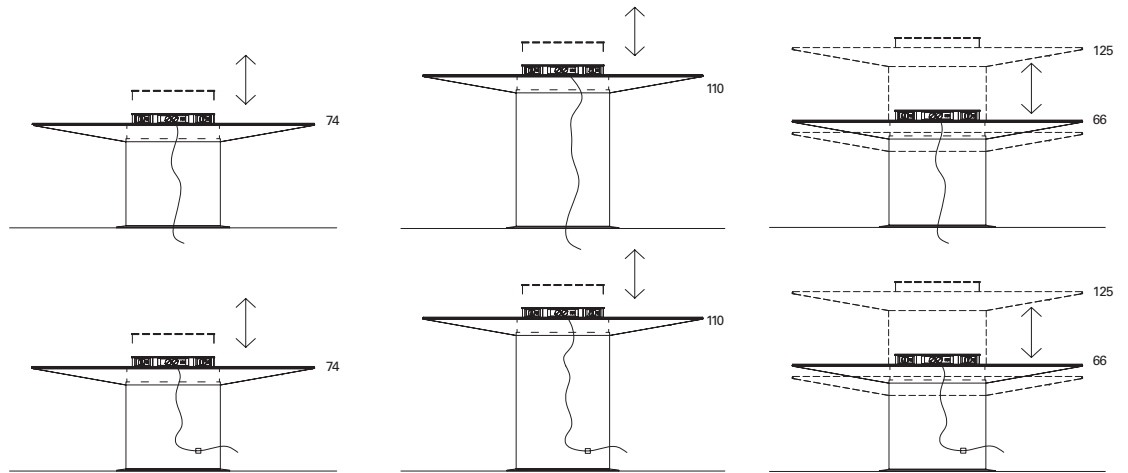


Tables fixed height 110 cm



Electrical height adjustable table 66-125 cm





TABLES

**Tables fixed height 74 cm**

Socket kit not included  
220V power supply

Cable passage under the base  
200x200xH74 cm  
V EL 02B PI ..

Cable passage on side of the base  
200x200xH74 cm  
V EL 02B LI ..

**Tables fixed height 110 cm**

Socket kit not included  
220V power supply

Cable passage under the base  
200x200xH74 cm  
V EL 02A PI ..

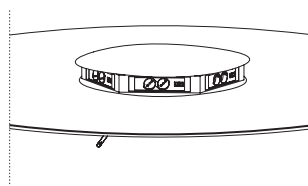
Cable passage on side of the base  
200x200xH74 cm  
V EL 02A LI ..

**Electrical height-adjustable table from 66 cm to 125 cm above the top**

Socket kit not included  
220V power supply

Cable passage under the base  
200x200xH74 cm  
V EL 02M PI ..

Cable passage on side of the base  
200x200xH74 cm  
V EL 02M LI ..



ELECTRIFICATION

**Electrification - 220V**

only black

For other solutions with sockets for other countries, please contact our Sales Department.

When ordering, it is necessary to specify the code for the country for which the sockets are provided.

Kit 6 sockets - 6 UNEL - 6 RJ45 - 6 USB charging  
58,6x58,6xH6,8 cm  
V EL 02K B00 1 ..

Kit 6 sockets - 12 UNEL - 6 USB charging  
58,6x58,6xH6,8 cm  
V EL 02K B00 2 ..

Kit 6 sockets - 6 UNEL - 6 RJ45  
58,6x58,6xH6,8 cm  
V EL 02K B00 3 ..

**TABLE TOP FINISHES**

Glass



**X7**  
Extra-clear etched glass,  
Charcoal back-painted



**V4**  
Extra-clear etched glass,  
White back-painted

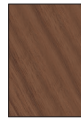


**N4**  
Extra-clear etched glass  
Black back-painted

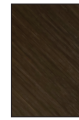
Standard natural veneer  
(certified genuine wood  
from Europe - Canada - USA)



**RV**  
Natural Oak



**NK**  
Canaletto Walnut  
straight-grained



**5R**  
Thermo-treated Oak

**STRUCTURE FINISHES**

Epoxy powder coating



**D7**  
Charcoal painting



**C7**  
Calce White painting



**KS**  
Nero Soft painting

**ELECTRIFICATION  
OF THE TOWER  
(TO BE ADDED TO THE TABLE)**

Epoxy powder coating

Kit 6 sockets - 6 UNEL - 6 RJ45 - 6 USB charging

Kit 6 sockets - 12 UNEL - 6 USB charging

Kit 6 sockets - 6 UNEL - 6 RJ45

For other finishes,  
please contact our Sales Department



ISO 9001



ISO 14001

UniFor has management system certified according to UNI EN ISO 9001 and UNI EN ISO 14001. The products are in conformance with the Italian decree law DLGS 81:2008 and with all of the principal regulations applicable to the various types of products.

The products described in this catalog are made with class E1 materials (low formaldehyde content) and are Greenguard® certified.